

## Digital Undercounter ecostore HP Premium Freezer Counter - 440lt, 3-Door, Remote CO2

ITEM # \_\_\_\_\_

MODEL # \_\_\_\_\_

NAME # \_\_\_\_\_

SIS # \_\_\_\_\_

AIA # \_\_\_\_\_


**710298 (EH3MRAAA)**

 3-door Freezer Counter  
 440lt, -22-15°C, AISI 304,  
 remote, CO2 with valve

### Short Form Specification

**Item No.** \_\_\_\_\_

External and internal in AISI 304 stainless steel, galvanized back panel. Worktop thickness 50mm. Insulation thickness 90mm. N. 3 full doors. For connection to a remote refrigeration unit (not included). Ventilated operating mode. Evaporator. Electronic microprocessor control with external digital temperature display. Automatic defrost. Temperature range: -15/-22°C. Specific for CO2 gas, valve is included.

Supplied with n. 3X1/1GN Rilsan coated grids.

### Main Features

- Certified safety CE requirements.
- Connectivity ready for real time access to connected appliances from remote and data monitoring (requires optional accessory).
- Adjustable temperature range from -15°C to -22°C.
- Large digital white-digit display with humidity selection button (3 preset level), internal temperature display and setting, manual activation of defrost cycle and turbo frost cycle (to rapidly cool warm loads).
- Equipped with Optiflow forced air circulation system for rapid cooling and temperature distribution within the cell.
- 0mm clearance installation space: tower configuration cooling unit guarantee performance with frontal ventilation only; this unique solution allows installation against the wall or side by side with other appliances, even on the cooling unit side to maximize the use of kitchen space.
- Combination of doors and drawers to suit any configuration needed, with the possibility to change the configuration on site. Right cooling unit available on request.
- Fully compliant HACCP digital control: when temperature exceeds critical limits, acoustic and visual alarms are activated. Up to two months of event are kept in memory.
- Anti-tilt runners accept GN 1/1 containers.
- Self closing stainless steel doors (< 90°).
- Prearranged to fit RS485 port to facilitate connection to a remote computer and integrated HACCP systems.
- Electrolux Professional Fridge Control APP make the life easier for our customers:
  - Monitor safety of preservation process thanks to HACCP data & alarms for precise control
  - Save time and easy data management having the possibility to send the HACCP information in excel format directly to e-mail address
  - Quick operations: set the cabinet temperature/ turbocooling and set date/hour
- Tropicalized unit.

**APPROVAL:** \_\_\_\_\_

### Construction

- Interior base with rounded corners, pressed from a single sheet.
- Worktop in AISI 304 Stainless steel with a 50 mm profile.
- 3 compartments with 3 doors.
- If needed, working top can be removed for easier handling during installation (in case of narrow doors).
- Ease of cleaning and high hygiene standards thanks to the rounded internal corners, the easily removable runners, grids and air conveyors.
- Internal structure with 15 charging positions (3 cm pitch) available to host GN 1/1 grids, ensuring higher net capacity and a greater storage space.
- Anti-drip profile on stainless steel worktop edge.
- Internal and external doors, front and side panels and removable worktop in AISI 304 Stainless steel.
- External bottom panel in stainless steel.
- External back panel in galvanized steel.
- Developed and produced in ISO 9001 and ISO 14001 certified factory.
- Fault code display.
- Remote refrigeration unit.
- Mounted on Stainless steel legs to give 150 mm clearance for ease of cleaning the floor.

### Sustainability



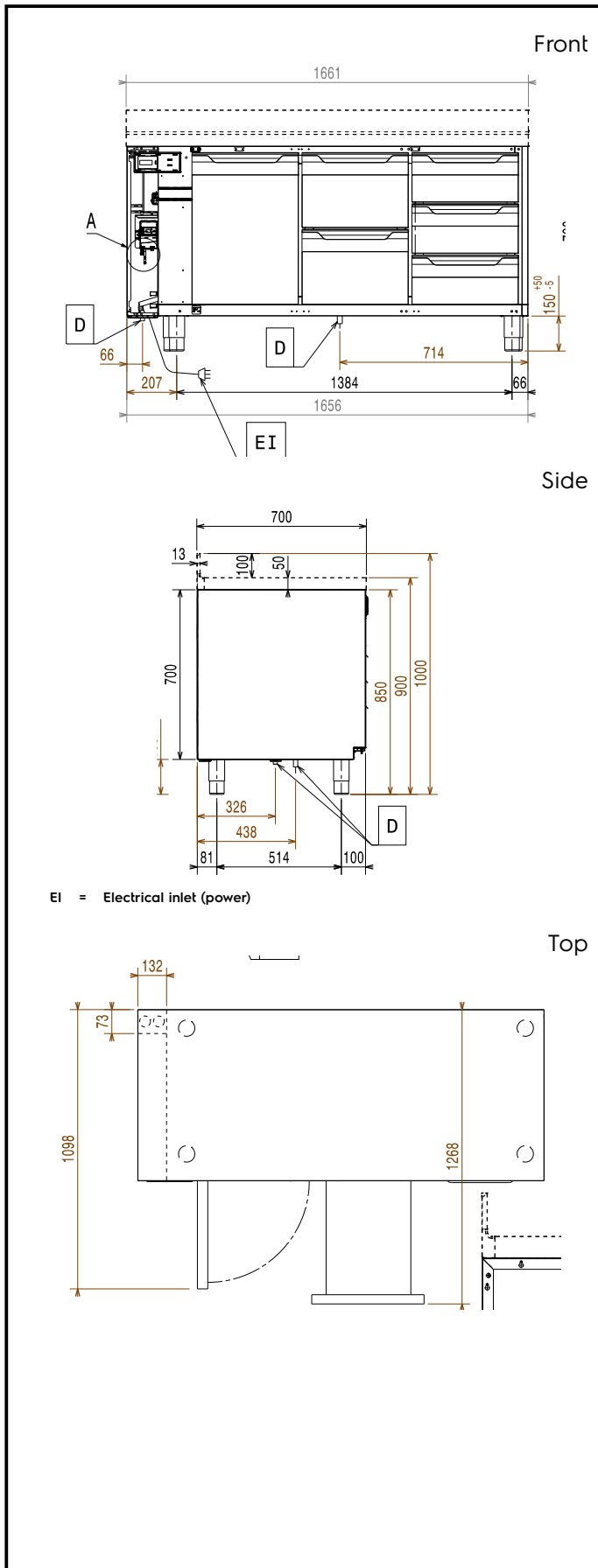
- Fitted with 90 mm thickness of cyclopentane insulation for best insulating performance (thermal conductivity: 0,020 W/m\*K) and lowest environmental impact (GWP=3).
- Removable triple-chamber balloon magnetic gasket to improve insulation and reduce energy consumption and ease of cleaning.
- Frost Watch Control starts automatically the defrosting process only when needed and ends once ice is melted, improving energy efficiency results.
- CO<sub>2</sub> (R744) is the refrigerant choice that's safe for the environment and delivers outstanding performance. Eco-Friendly: Zero Ozone Depletion Potential and an ultra-low Global Warming Potential (GWP = 1). Safe to Use: Non-toxic and non-flammable for peace of mind. Sustainable: A natural refrigerant that supports a greener, cleaner planet.

### Included Accessories

- 3 of Kit 1/1 grey rilsan grid and 2 side runners for refrigerated counters PNC 881109

### Optional Accessories

- Automatic defrost with waste evaporation PNC 880028
- 1/1GN grey rilsan grid for refrigerated counters PNC 881107
- 2 side runners for 1/1 GN ecostore refrigerated counters PNC 881108
- Kit 1/1 grey rilsan grid and 2 side runners for refrigerated counters PNC 881109
- 1/1 GN plastic container, H=65 mm PNC 881110
- 1/1 GN plastic container, H=100 mm PNC 881111
- 1/1 GN plastic container, H=150 mm PNC 881112
- Kit 710 body height for 3-door counters - HP - remote PNC 881147
- Lock for refrigerator/freezer counters with 3 compartments - h700mm (can be used in kit for Marine conversion) PNC 881243



## Electric

<b>Supply voltage:</b>	710298 (EH3MRAAA)	220-240 V/1 ph/50/60 Hz
<b>Electrical power max.:</b>		0.08 kW
<b>Defrost Power:</b>		0.63 kW
<b>Plug type:</b>		CE-SCHUKO

## Key Information:

<b>Gross capacity:</b>	440 lt
<b>Net Volume:</b>	310 lt
<b>Door hinges:</b>	1 Left+2 Right
<b>External dimensions, Width:</b>	1661 mm
<b>External dimensions, Depth:</b>	700 mm
<b>External dimensions, Height:</b>	900 mm
<b>Net weight:</b>	113 kg
<b>Shipping volume:</b>	1.33 m <sup>3</sup>
<b>Depth with doors open:</b>	1110 mm
<b>Height adjustment:</b>	-5/50 mm

## Refrigeration Data

<b>Control type:</b>	Digital
<b>Operating temperature min.:</b>	-15 °C
<b>Operating temperature max.:</b>	-22 °C
<b>Refrigeration type:</b>	R744
<b>Operating mode:</b>	Ventilated
<b>Suggested refrigeration power:</b>	654 W
<b>Condition at evaporation temperature:</b>	-30 °C
<b>Condition at condensation temperature:</b>	55 °C
<b>Condition at ambient temperature:</b>	43 °C
<b>Connection pipes (remote) - outlet:</b>	8 mm
<b>Connection pipes (remote) - inlet:</b>	8 mm

## ISO Certificates

<b>ISO Standards:</b>	ISO 9001; ISO 14001; ISO 45001; ISO 50001
-----------------------	---

## Sustainability

<b>Current consumption:</b>	0.4 Amps
-----------------------------	----------